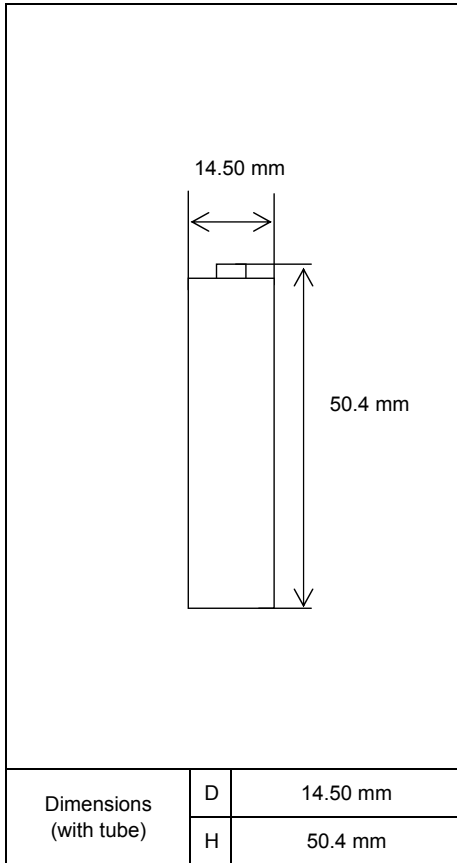


Specifications

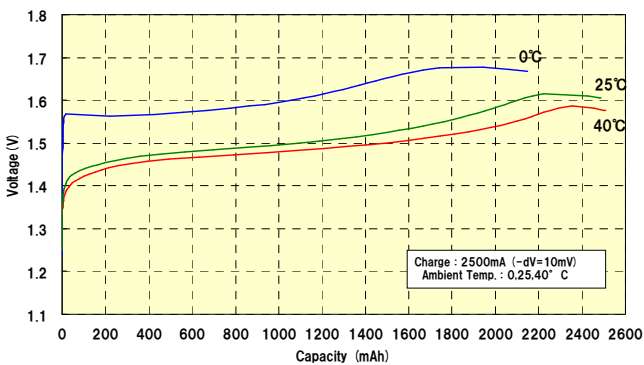


| | | |
|--|---------------------------|---------------------------|
| Type : Nickel-Metal Hydride Battery | | Size : AA Consumer Type |
| Capacity ¹⁾ | Typical | 2550mAh |
| | Minimum | 2450mAh |
| Nominal Voltage | | 1.2V |
| Charging Current x Time | Fast Charge ²⁾ | 2550mA × 1.1h |
| Ambient Temp. | Charge Condition | Fast Charge ²⁾ |
| | Discharge Condition | 0°C - 40°C |
| | Less than 90days | 0°C - 50°C |
| | Less than 1year | -20°C - 40°C |
| Internal Impedance ³⁾ (after discharge to E.V.=1.0V) | | Approx. 25mΩ (at 1KHz) |
| Weight ⁴⁾ | | Approx. 30 g |
| Size ⁴⁾ : (Diameter) x (Height) | | φ : 14.5mm X H:50.4mm |

- 1) Single cell capacity under the following condition.
Charge : 250mA x 16h, Discharge : 500mA (E.V.=1.0V) at 25deg.C
- 2) Use recommended charging system.
- 3) After a few charge and discharge cycles under the above 1) condition.
- 4) With Label.

Typical Characteristics

Charge



Discharge

