





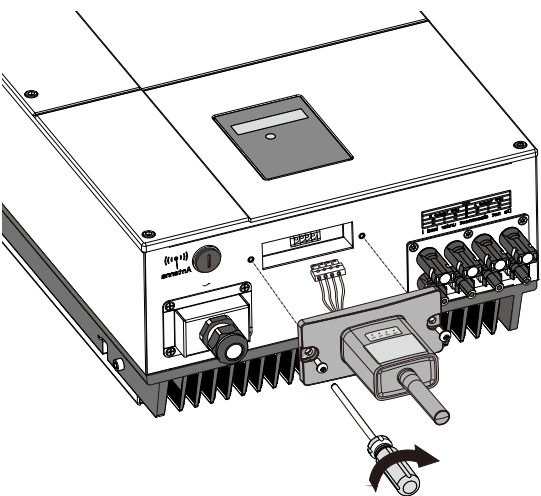
# Wi-Fi PlugII

## Quick Installation Guideline

### 1. Installation

- Find the corresponding interface code on the right table, according to the model of the datalogger.
- Based on the corresponding icon, finish the installation according to the interface code.
- Confirm the status of the LED light (After step 2.3, when 4 LED light keep on, showing the normal working status).

Datalogger Model	Interface Code	Interface Icon
Wi-Fi PlugII - 01/11 ( Method 1 )	①	
Wi-Fi PlugII - 04 ( Method 2 )		
Wi-Fi PlugII - 02/10	②	
Wi-Fi PlugII - 07	③	
Wi-Fi PlugII - 03/05/06/08/12/13	④	



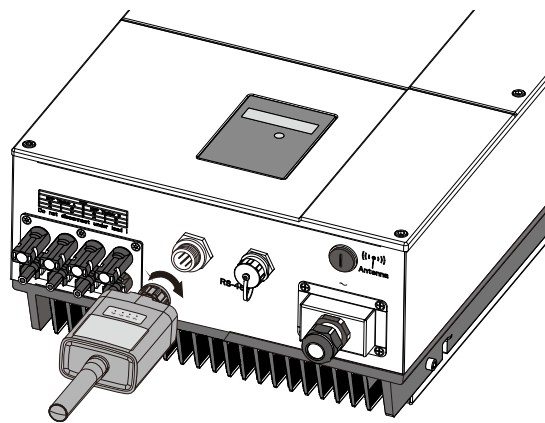
①

#### Method 1 :

- Connect the 4PIN power cable of the Wi-Fi PlugII to the inverter.
- Fasten the Wi-Fi PlugII to the inverter with the screw.

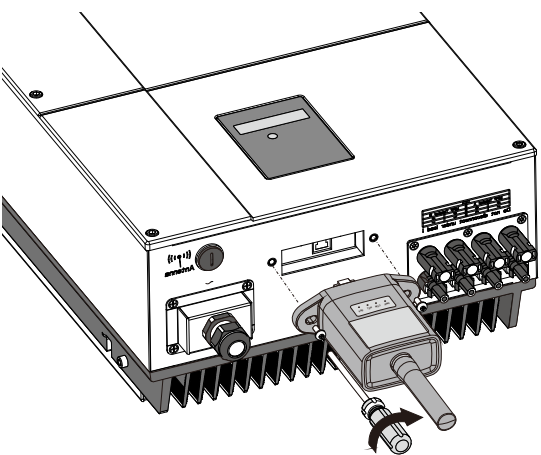
#### Method 2 :

- Connect the 2 PIN green interface of the Wi-Fi PlugII to the RS-485 terminal of the inverter.
- Connect the 5PIN power cable of the Wi-Fi PlugII to the inverter.
- Fasten the Wi-Fi PlugII to the inverter with the screw.



②

- Align the 4-hole aviation plug of the Wi-Fi PlugII with the inverter and plug it in.
- Tighten the nut of the Wi-Fi PlugII to the inverter.

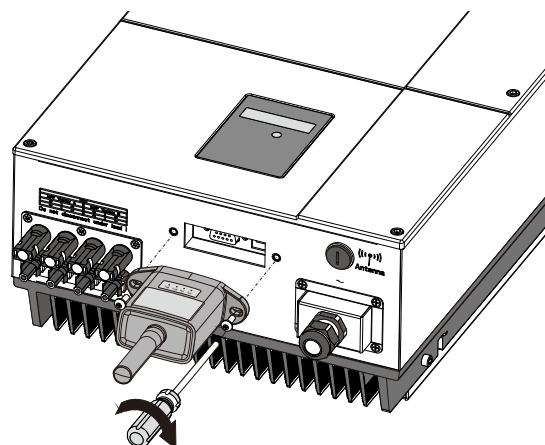


③

- Align the RJ-45 crystal head of the Wi-Fi PlugII with the inverter and insert it in tightly.
- Fasten the Wi-Fi PlugII to the inverter with the screw.

④

- Align the serial port of the Wi-Fi PlugII with the inverter and plug it in tightly.
- Fasten the Wi-Fi PlugII to the inverter with the screw.



### 2. Wireless Router Connection

#### 2.1 Download APP

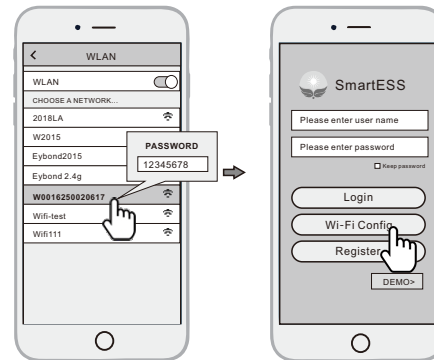
- Scan the QR Code on the right side and download the APP.



SmartESS(iOS)



SmartESS(Android)

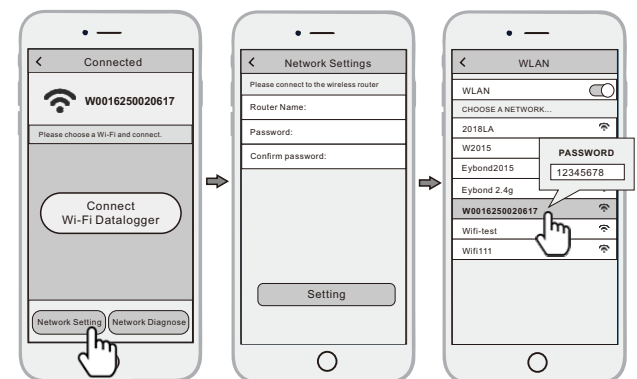


#### 2.2 Connect Wi-Fi Datalogger

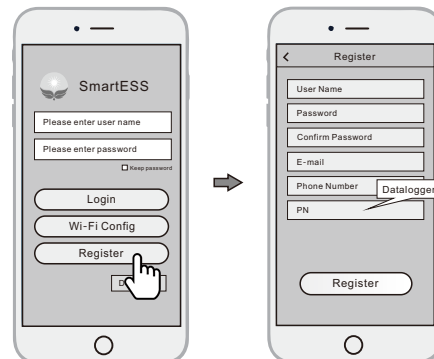
- Select the same number of Wi-Fi PlugII PN to connect on your phone WLAN. (Initial Password:12345678)
- Open the APP, tap the **Wi-Fi Config** button to enter this page.

#### 2.3 Network Setting

- According to the prompts, type in the information to finish the network setting.
- After the Wi-Fi PlugII is restarted, reconnect the Wi-Fi which connected by step 2.1.



### 3. Create Account And Add Datalogger



#### 3.1 Create Account

- Open the APP, tap the **Register** button to enter this page.
- According to the prompts, type in the information to create an account.

#### 3.2 Add Datalogger

- Login the account and click the **Datalogger** button. Tap the "+" button on the top-right corner of the **Datalogger** page.
- Scan the PN on the Wi-Fi PlugII, or input it manually.
- According to the prompts, type in the information to finish add datalogger.

